

BITTNER RACCOON-RESISTANT EASTERN BLUEBIRD NESTBOX.

Floor size = 4 1/2 x 5 inches.

Depth (top of guards to floor) = 6 1/2 inches.

(A) Side view, (B) Front view, (C) Top view without roof,
(D) Side view without roof, (E) Front view cross section.

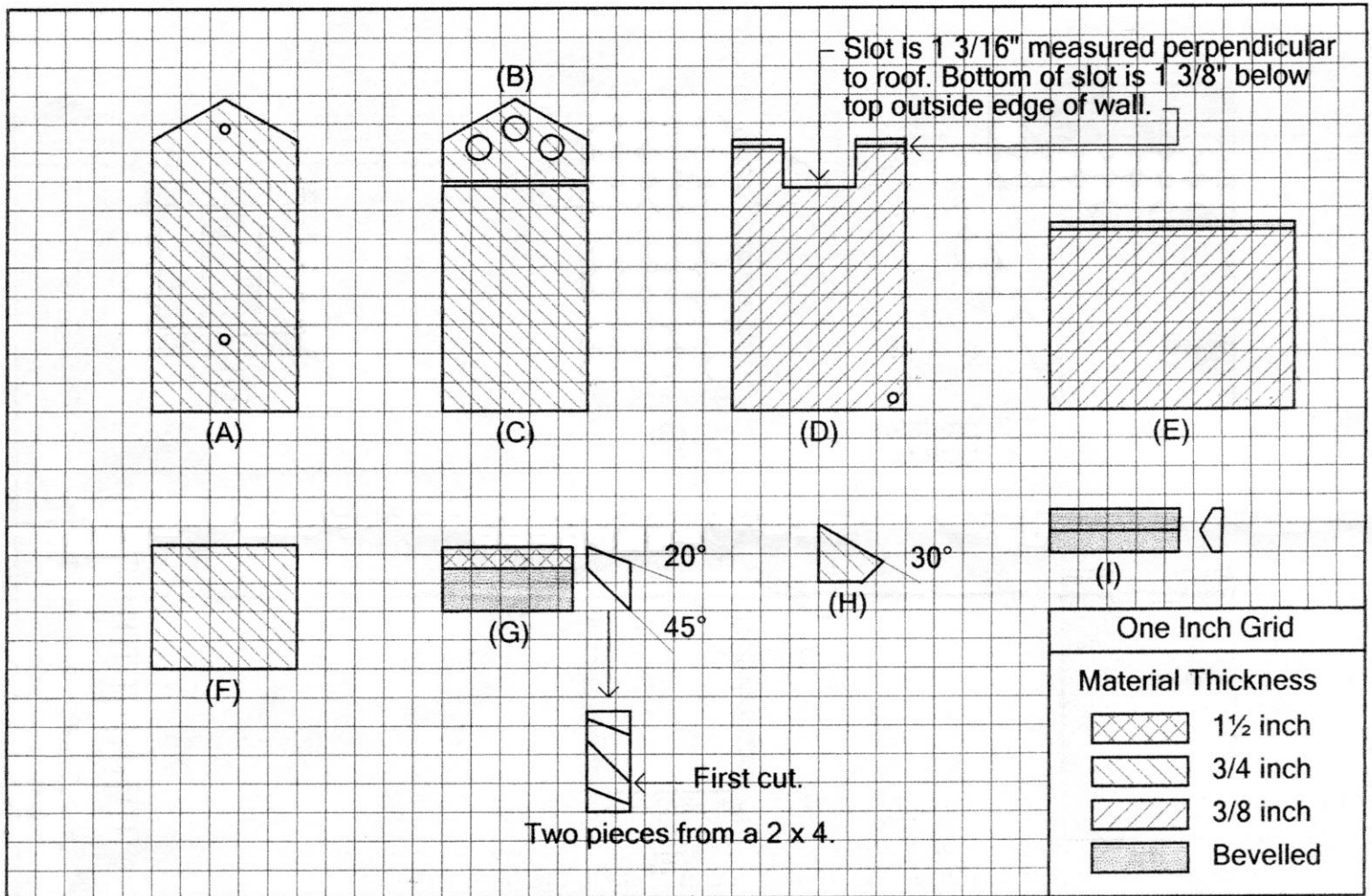
The purpose of the front holes (3/4 inch) is to increase illumination in the box, and to provide screwdriver access when mounting the box.

The external guards under the eaves have two purposes: 1) to prevent a raccoon from getting its shoulder too close to the entrances, and 2) to better hide the entrances in order to deter swallows. The internal guards make it difficult for a raccoon to reach down to a nest.

The amount of roof extension over the entrances is important. Too little will increase swallow use; too much might cause young bluebirds to fly to the ground when they fledge.

The door can be held closed by an easily removable double-headed nail through the sidewall and into the edge of the door. A sliding, drop-down door can be substituted to make the box more rain resistant.

The box is attached to a post with two screws using a long screwdriver. I drill small pilot holes in the post for the screws.



EASTERN BLUEBIRD BOX: Parts List.

(A) Back, (B) Gable, (C) Door, (D) Sides(2), (E) Roof(2),
(F) Floor, (G) Internal guards(2), (H) External guards(4), (I) Roof-ridge strip.

Material: spruce or fir are adequate.

3 feet of 1 x 6 board ($\frac{3}{4}$ x $5 \frac{1}{2}$ inches).

1 foot of 2 x 4 ($1 \frac{1}{2}$ x $3 \frac{1}{2}$ inches).

3 square feet of $\frac{3}{8}$ plywood.

1 1/2 inch nails & water-resistant glue.

10 x 2 wood screws(2) for mounting.

Main construction steps:

- 1) Attach sides to back.
- 2) Attach sides to floor and gable.
- 3) Attach internal guards to sides (I use screws & glue).
- 4) Attach roof to back and gable.
- 5) Turn box upside down and attach roof-ridge strip to roof.
- 6) Attach external guards to roof ($2 \frac{1}{2}$ inch space between guards).
- 7) Install door.